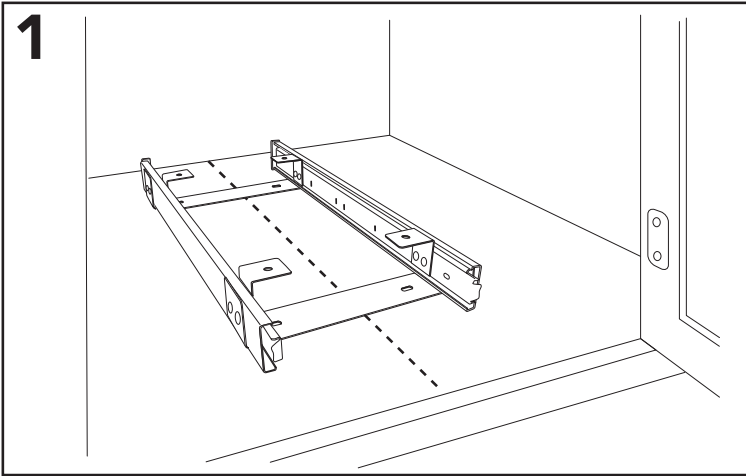
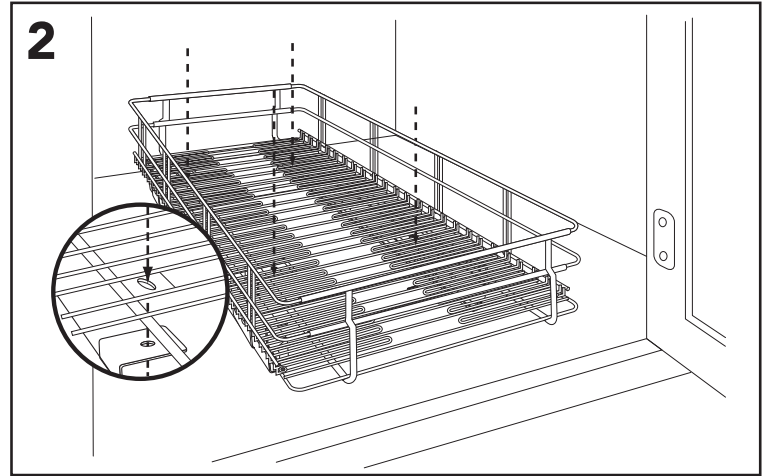


STEEL SHELF ON WHEELS INSTRUCTIONS

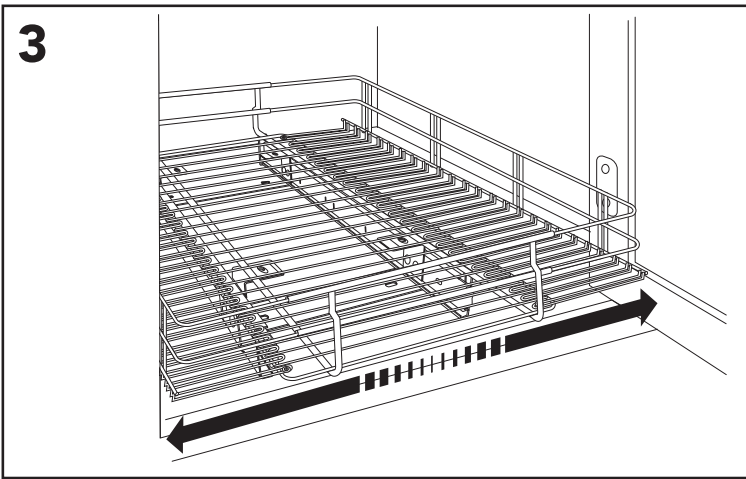
HEAVY DUTY CHROME PLATED



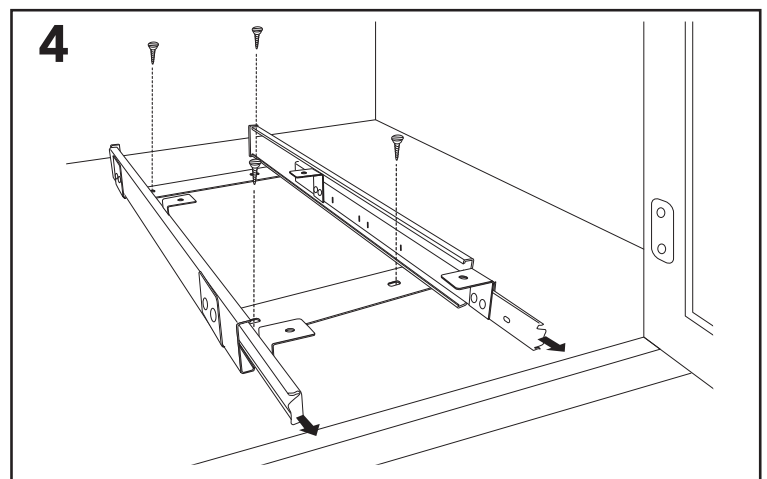
1 Insert closed metal rack, with 4 brackets facing up, in the center of the cabinet and plastic protectors facing rear of cabinet.



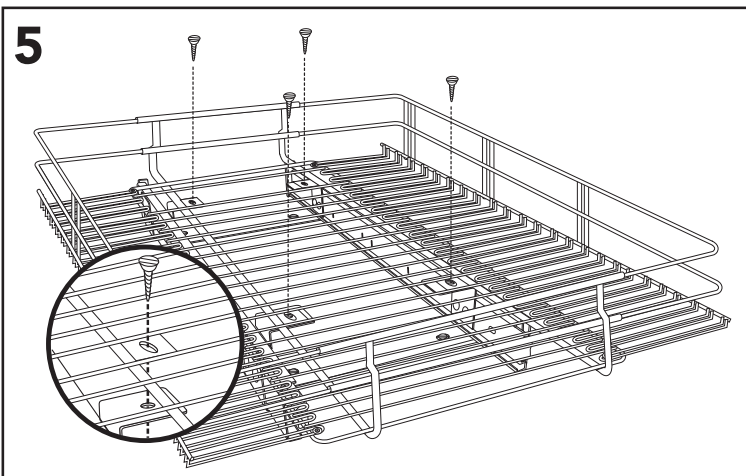
2 Place closed shelf on top of the rack and line up holes on top of rack. Push shelf all the way to the rear of the cabinet, close door to make sure you have enough clearance.



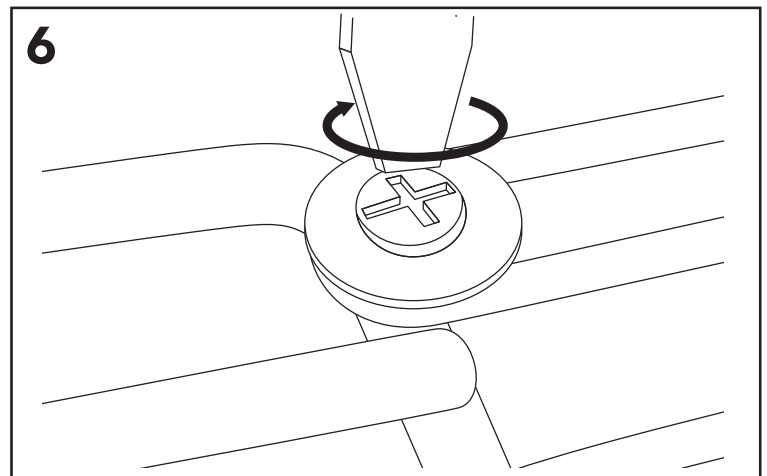
3 Then, expand both sides of the shelf to fit your cabinet width perfectly. Check to make sure you can pull out shelf with clearance. Then double check to make sure holes still line up and pencil your mark.



4 Remove shelf and pull out sliding rails and make sure holes are lined up. Screw in bottom brace screws into cabinet floor.



5 Replace shelf on top of the screwed in rack. Make sure holes are lined up and you have clearance. Then use the additional four screws in to lock the shelf into the rack.



6 Tighten screws on all for corners of shelf to lock it into expanded position. That's it, you're done!

NOTE: For replacement or missing parts, please contact the manufacturer at j.a.mktg@sbcglobal.net or 630-776-1063